

NOTICE

This information applies only to the power meter and VFL designed for the FTB-2/FTB-2 Pro and FTB-4 Pro units.

Installing or Removing the Power Meter and VFL

If your unit was not equipped with a power meter and a VFL at time of your initial purchase, you can purchase one afterwards and install it yourself.

You may also need to remove the power meter to send it to an authorized service center for recalibration.

Note: *If you prefer not to remove the power meter from your unit when a calibration is needed, you can also send the complete unit to the service center.*



WARNING

- To avoid serious injuries as well as irreparable damages both to your unit and your power meter, **ALWAYS TURN OFF YOUR UNIT** (shutdown mode, not sleep), **DISCONNECT IT FROM THE EXTERNAL POWER SOURCE**, and **REMOVE ALL BATTERIES**. For more information on the ways to turn off your unit, refer to its user guide or online help.
- Be careful not to drop metal objects such as screws inside the unit. These could cause a short-circuit leading to a fire or an explosion.



CAUTION

Electrostatic discharge (ESD) damage can cause complete or intermittent equipment failures.

- Always use an ESD-preventive wrist or ankle strap when handling the power meter. Ensure that the antistatic strap makes good skin contact and that the end of its wire is grounded properly.
- Always handle the power meter by the edges of its metal faceplate (where the detector port is located).
- Never touch the circuit board.
- Keep any piece of clothing away from the power meter during the handling.
- Never touch any component inside the unit either with tools or your fingers.
- Only place the power meter on antistatic surfaces such as an antistatic mat, and quickly put power meters that need recalibration into antistatic bags.

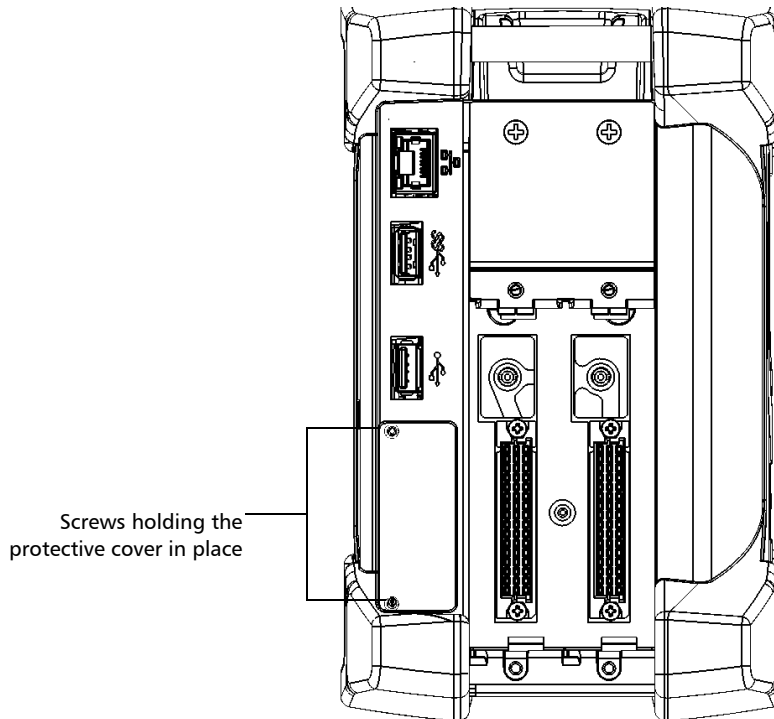


CAUTION

Use only power meters and VFL designed for your unit and approved by EXFO.

To install a power meter:

1. Turn off your unit.
2. Disconnect the unit from its external power source and remove the batteries.
3. Put on a wrist (or an ankle) antistatic strap and ensure that the end of its wire is grounded properly.
4. Place the unit vertically so that its right panel is facing you, and then locate the protective cover that hides the power meter bay.



5. Using a screwdriver, remove the two screws of the protective cover.

Note: *Keep the screws close at hand because you will need them to secure the power meter in place later.*

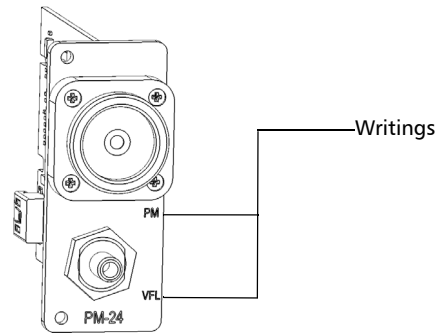
6. Remove the protective cover.



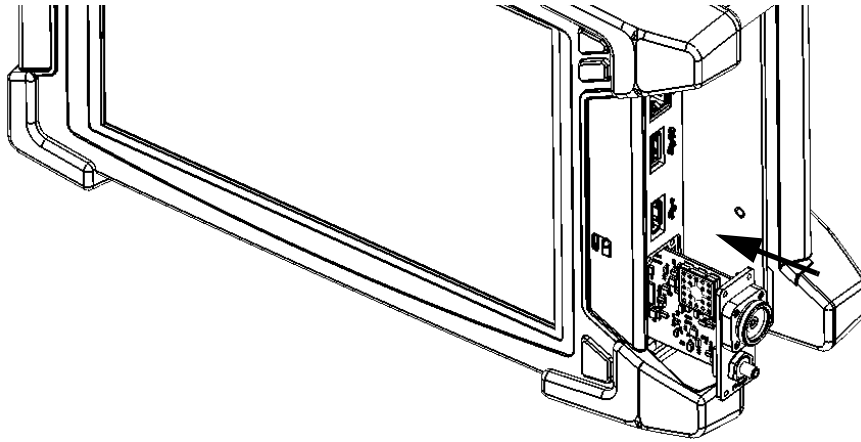
IMPORTANT

Do not discard the protective cover. You will need it to protect the power meter bay if you ever send the power meter for recalibration.

7. By holding the power meter by its faceplate, position it so that the writings are right-side up.



8. Carefully align the power meter with the corresponding bay.



9. Gently slide the power meter into the bay until its faceplate is flush with the edge of the bay. As the power meter reaches the back of the bay, you should feel a slight resistance, indicating that it is properly connected inside the unit.

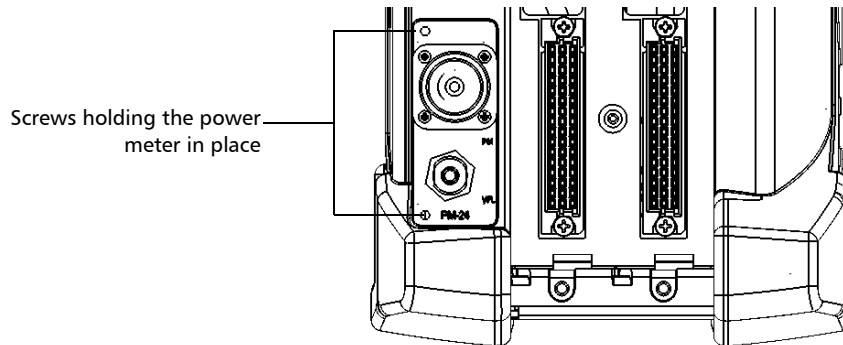
Note: *If the power meter slides all the way into the bay without any resistance, it probably means that it is not properly inserted.*

10. Using a screwdriver, secure the power meter in place with the screws that you have removed at step 5.
11. Remove your antistatic strap.
12. Connect your unit to an external power source if desired.
13. If it is not already done, turn on your unit.
14. Start the power meter application to ensure that the instrument is working properly.

Note: *If the power meter is not detected, this could mean that it is not inserted properly in the unit. In this case, repeat the installation procedure. If the problem persists, contact EXFO.*

To remove the power meter for recalibration:

1. Turn off your unit.
2. Disconnect the unit from its external power source and remove the batteries.
3. Put on a wrist (or an ankle) antistatic strap and ensure that the end of its wire is grounded properly.
4. Place the unit vertically so that its right panel is facing you, and then locate the power meter.
5. Using a screwdriver, remove the two screws of the power meter.



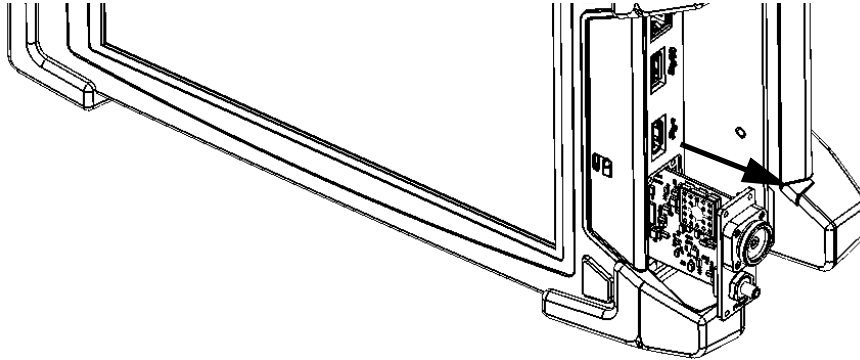
Note: *If you have a protective cover for the power meter bay, keep the screws close at hand. You will need them to secure the protective cover in place later.*



IMPORTANT

Do not discard the screws. You will need them to secure the protective cover, and the power meter in its bay when it is back from calibration.

- 6.** By holding the power meter by its faceplate, gently pull it out of the bay completely.



- 7.** Place the power meter in an antistatic bag.
- 8.** If you have a protective cover, proceed as follows:
 - 8a.** Carefully place the cover over the power meter bay.
 - 8b.** Using a screwdriver, secure the protective cover in place with the screws that you have removed at step 5.
- 9.** Remove your antistatic strap.
- 10.** Connect your unit to an external power source if desired.