

NOTICE

This information applies only to the MaxTester Series units.

Replacing Batteries

Your unit uses a lithium-polymer battery that has been especially designed for EXFO. For this reason, you can only replace the main battery with a battery designed for your MaxTester unit. You can purchase new batteries from EXFO.



WARNING

Do not throw batteries into fire or water and do not short-circuit the battery's electrical contacts. Do not disassemble.



WARNING

- To avoid serious injuries as well as irreparable damage to your unit, **ALWAYS TURN OFF YOUR UNIT** (shutdown mode, not suspend) and **DISCONNECT IT FROM THE AC POWER**.
- Be careful not to drop metal objects such as screws inside the unit. These could cause a short-circuit leading to a fire or an explosion.



CAUTION

Electrostatic discharge (ESD) damage can cause complete or intermittent equipment failures.

- Always use an ESD-preventive wrist or ankle strap when handling the unit while it is open. Ensure that the antistatic strap makes good skin contact and that the end of its wire is grounded properly.
- All the components that you should be handling are identified in the procedure hereafter. Do not touch any other component inside the unit either with tools or your fingers.
- To avoid damaging the new battery, handle it with care.



CAUTION

Ensure that no foreign object falls inside the unit. This may cause irreparable damage to your unit.

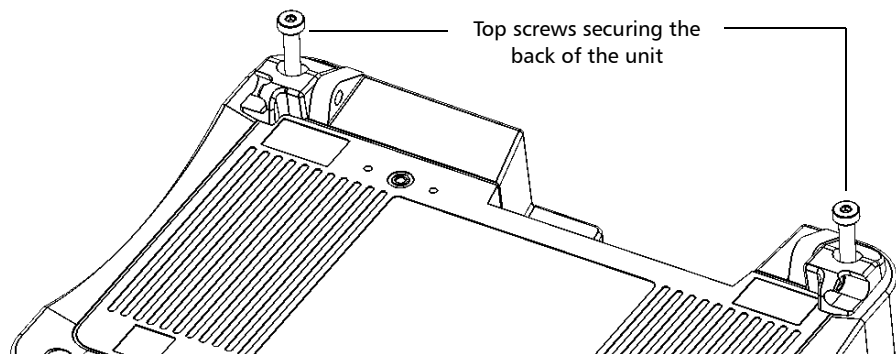


CAUTION

Use lithium-polymer batteries of the same type and model only. Use of other batteries may damage your unit and compromise your safety.

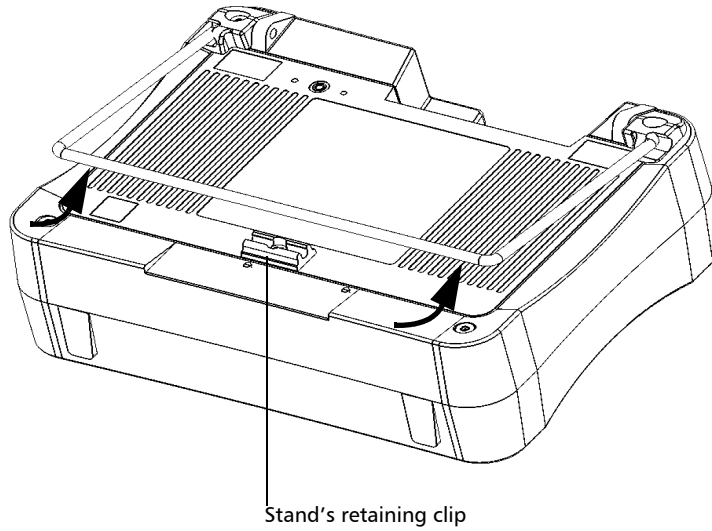
To replace the main battery:

1. Press and hold the On/Off button a few seconds until the unit beeps once to put it in shutdown mode.
2. Disconnect the unit from its external power source.
3. Put on an antistatic wrist (or ankle) strap and ensure that the end of its wire is grounded properly.
4. Position the unit so that its front panel rests on a flat surface such as a table.
5. Using the provided hex key (“Allen” key), remove the two top screws that secure the back of the unit in place.

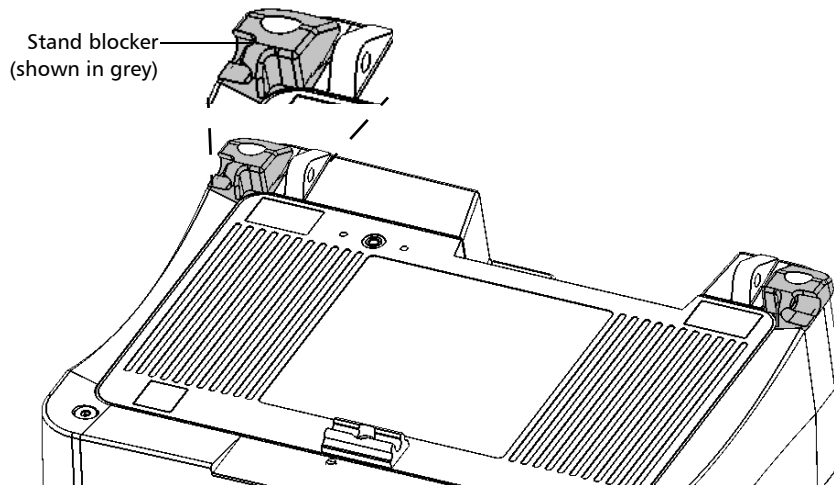


6. If necessary, remove the stand so that it does not fall when you open the unit's casing later:

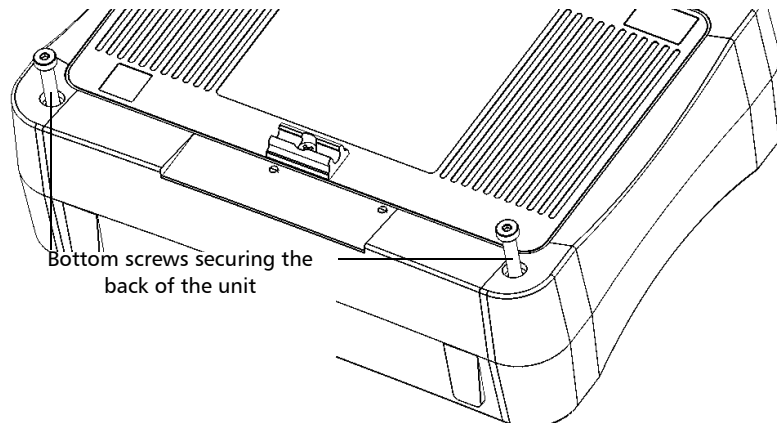
6a. Release the stand from its retaining clip by pulling it upwards.



6b. Remove the blockers and the stand.



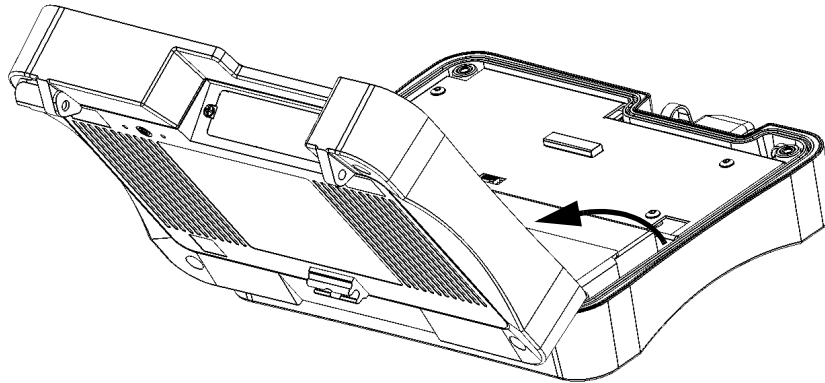
7. Using the provided hex key (“Allen” key), remove the two bottom screws that secure the back of the unit in place.



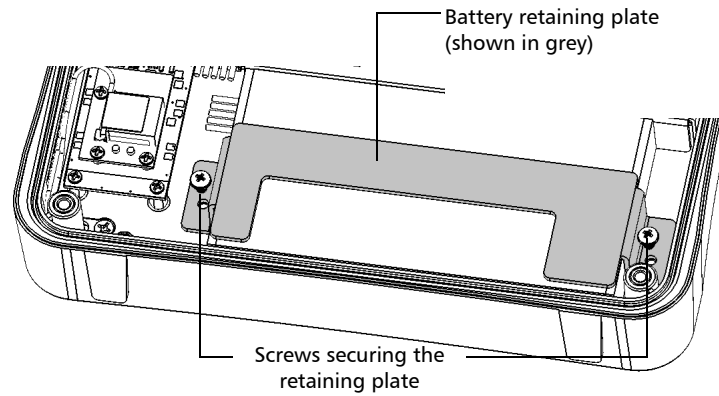
CAUTION

To avoid damaging your unit, open it very carefully. Do not pull on the flat cable that links the back panel to the front panel. On some models, the flat cable is not present.

8. Hold the back of the unit by its sides and fold it down carefully until it rests completely flat.



9. Using a screwdriver, remove the two screws securing the retaining plate of the battery in place.



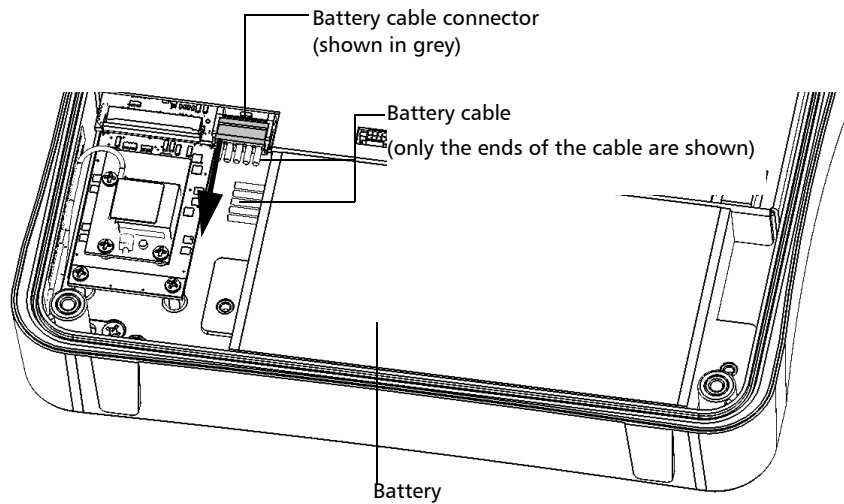
10. Remove the retaining plate so that you can see the battery.



CAUTION

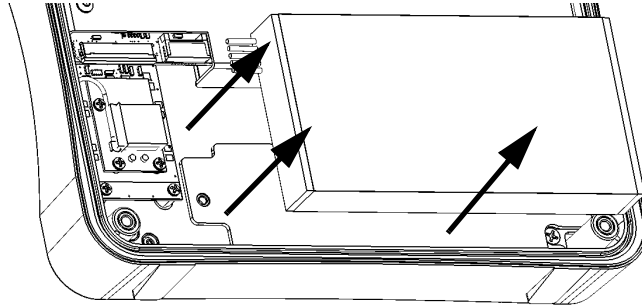
Be careful not to touch any component inside the unit when you disconnect the battery cable.

11. Disconnect the battery cable from the unit by pulling on its connector.



Note: To simplify the illustration, the battery cable does not appear in full between its connector and the battery itself.

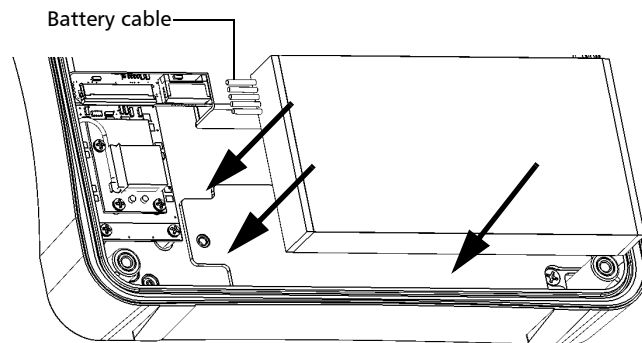
12. Hold the battery by its sides and pull it up carefully.



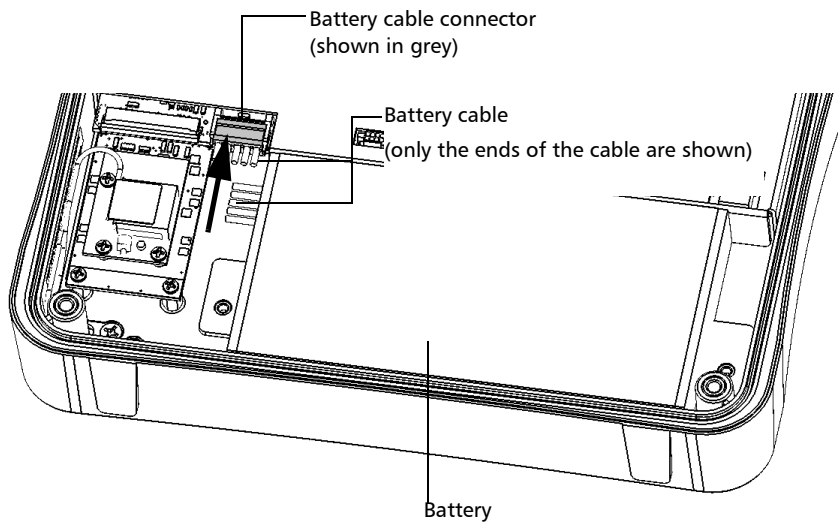
IMPORTANT

Wait at least 30 seconds before connecting the new battery. This will ensure that your unit detects it properly.

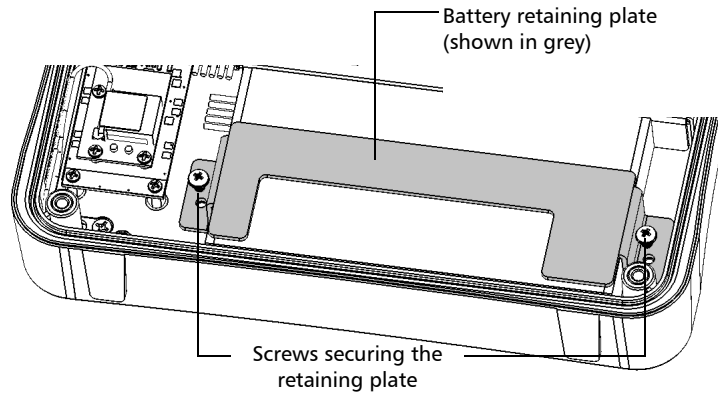
13. Place the new battery into your unit so that its cable is on the left, and on the lower part of the battery casing as shown below.



14. Connect the battery cable to the unit by pushing its connector in place.



- 15.** Place the retaining plate back over the battery, ensuring that the holes for the screws are well-aligned with those in the casing of the unit.

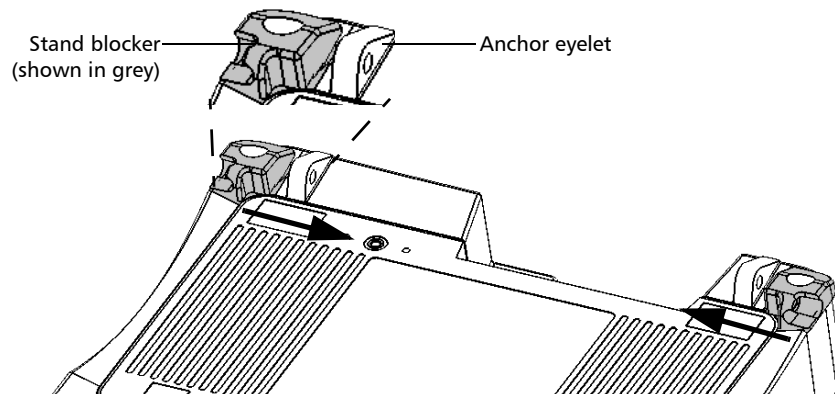


- 16.** Using a screwdriver, put back the two screws securing the retaining plate of the battery in place.

- 17.** Hold the back of the unit by its sides and place it back on the unit carefully.

- 18.** If desired, put the unit's stand back in place:

- 18a.** Align the side of the stand blockers with the side of the anchor eyelets, and then slide the blockers towards the eyelets until they stop. There should be no gap between the blockers and the eyelets.



- 18b.** Using the provided hex key ("Allen" key), put the two top screws back in place (in the center of the blockers).

- 18c.** Hold the stand by its sides, and then slightly widen it to be able to insert it into the blockers.

- 18d.** Release the stand as soon as it is properly inserted into the blockers.

- 18e.** If desired, secure the stand in its retaining clip by pushing it downwards.

19. Using the provided hex key (“Allen” key), put back the screws securing the back of the unit in place.

Note: *If you have reinstalled the stand on your unit, you have only the two bottom screws to put back.*

20. Remove the antistatic strap.

21. Connect your unit to an external power source to allow the new battery to charge.

Note: *If the battery is not connected properly, the unit will not turn up or start to charge the battery automatically. In this case, repeat the replacement procedure. If the problem persists, contact EXFO.*